

2700-47

Core Dimensions

Height:24.875

Width:20

Depth:2.2

Description

Construction:Aluminum

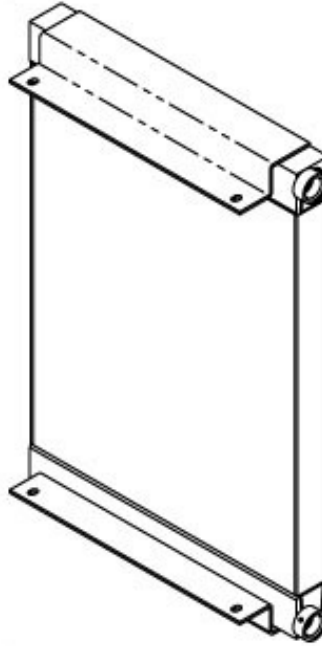
Orientation:

Filler Neck:None

Inlet:1 5/16 X 12" ()

Outlet:1 5/16 X 12" ()

Oil cooler: - "



Core size:

24 7/8 x 20 x 2 1/4

Overall size: 30 3/8"

Fittings: 1 5/16-12 UN