

## 2700-51

### Core Dimensions

Height:37

Width:42.5

Depth:2.25

### Description

Construction:Aluminum

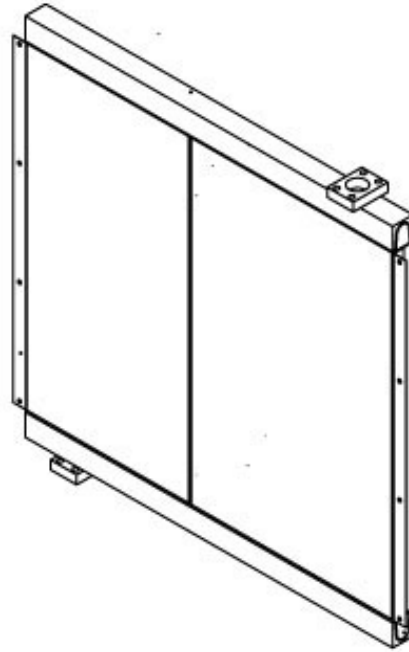
Orientation:

Filler Neck:None

Inlet:4 BOLT FLANGE" ( )

Outlet:4 BOLT FLANGE" ( )

Oil cooler: - "



Core size:  
37 x 42 1/2 x 2 1/4  
Overall Size: 42 1/2"  
Bolted Fitting: 1 15/16"