

## 2700-63

### Core Dimensions

Height:54.75

Width:10.25

Depth:5.5

### Description

Construction:Aluminum

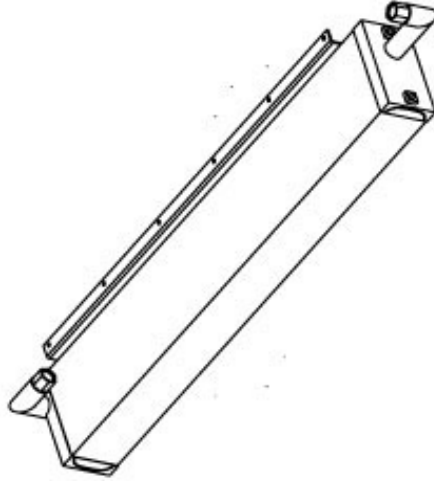
Orientation:

Filler Neck:None

Inlet:1-11.5 NPT TO SAE-16 ORB" ( )

Outlet:1-11.5 NPT TO SAE-16 ORB" ( )

Oil cooler: - "



#### Notes:

Core size:  
54 3/4 x 10 1/4 x 5 1/2  
Overall size: 57 3/4"  
Connections: 1" NPT  
Adaptors: SAE-16 ORB

Verify all connection locations, sizes and core depth. O.E. core specifications are listed, replacement measurements may vary slightly.