

4100-07

GMC / Isuzu

Core Dimensions

Height:23.25

Width:21.5

Depth:1.4375

Description

Construction:PTR

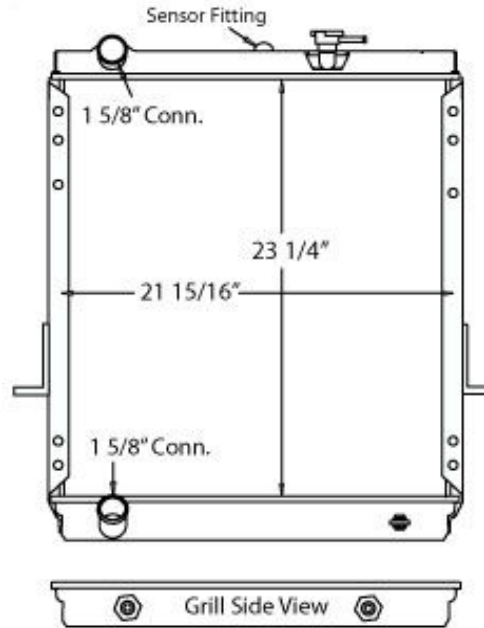
Orientation:Downflow

Filler Neck:Right

Inlet:1.625" (Left)

Outlet:1.625" (Left)

Oil cooler:Bottom - 14.375"



Side panels shown are for reference only and may not be included with radiator.

If needed side panels may be available on request.