

## 2700-41

### Core Dimensions

Height:28.625

Width:29.625

Depth:3.5

### Description

Construction:Aluminum

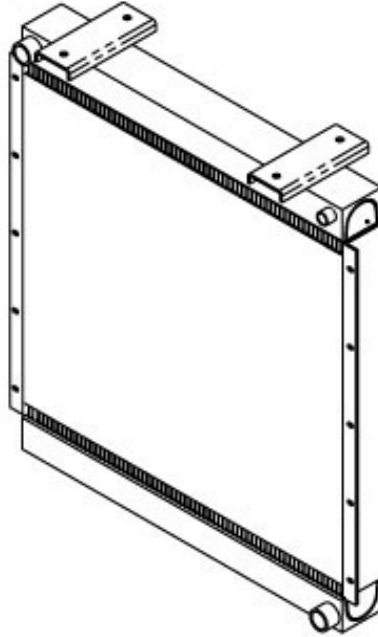
Orientation:

Filler Neck:None

Inlet:1/2" NPT" ( )

Outlet:1/2" NPT" ( )

Oil cooler: - "



Core size: 28 5/8 x  
29 5/8 x 3 1/2  
Overall Height: 34 1/8"  
Connections: 1" NPT  
Fittings: 1/2" NPT