

2700-45

Core Dimensions

Height:27.5

Width:33.4375

Depth:4.5

Description

Construction:Aluminum

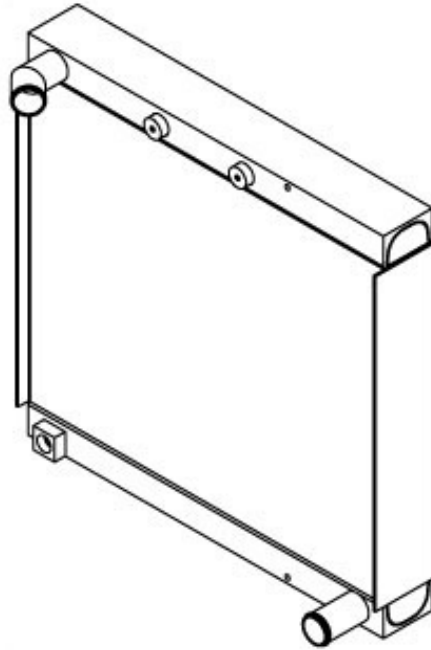
Orientation:

Filler Neck:None

Inlet:" ()

Outlet:" ()

Oil cooler: - "



Core size:

27 1/2 x 33 7/16

x 4 1/2

Overall size: 33"

Connections: 2 1/4",

1" NPT Left

bottom.